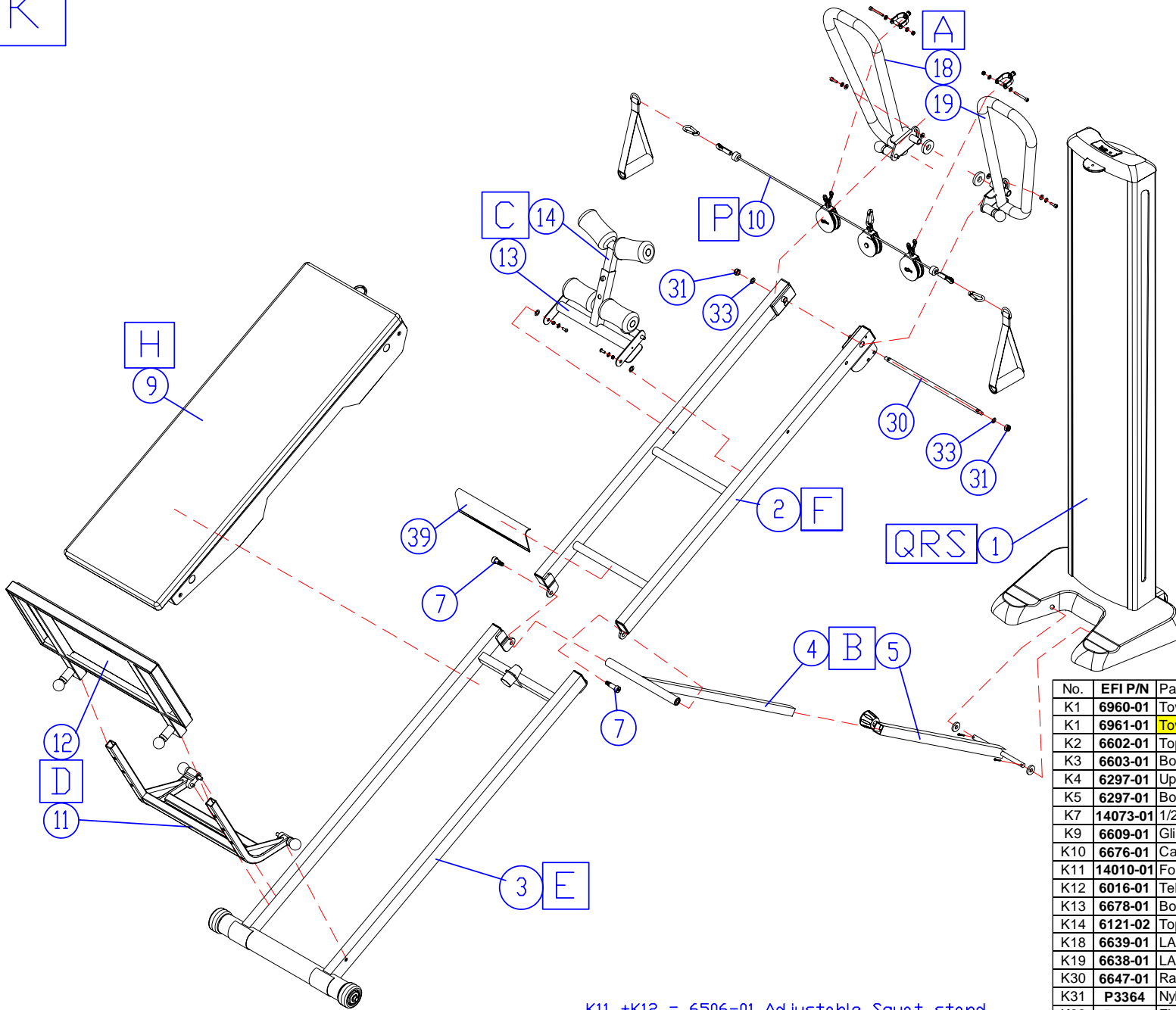


K



K11 +K12 = 6506-01 Adjustable Squat stand

Power Tower
 Exploded Assembly Drawing
 P/N 6007-01, 6008-01
 10-10-06
 Design Patent No. D493,853

efi.
 sports medicine

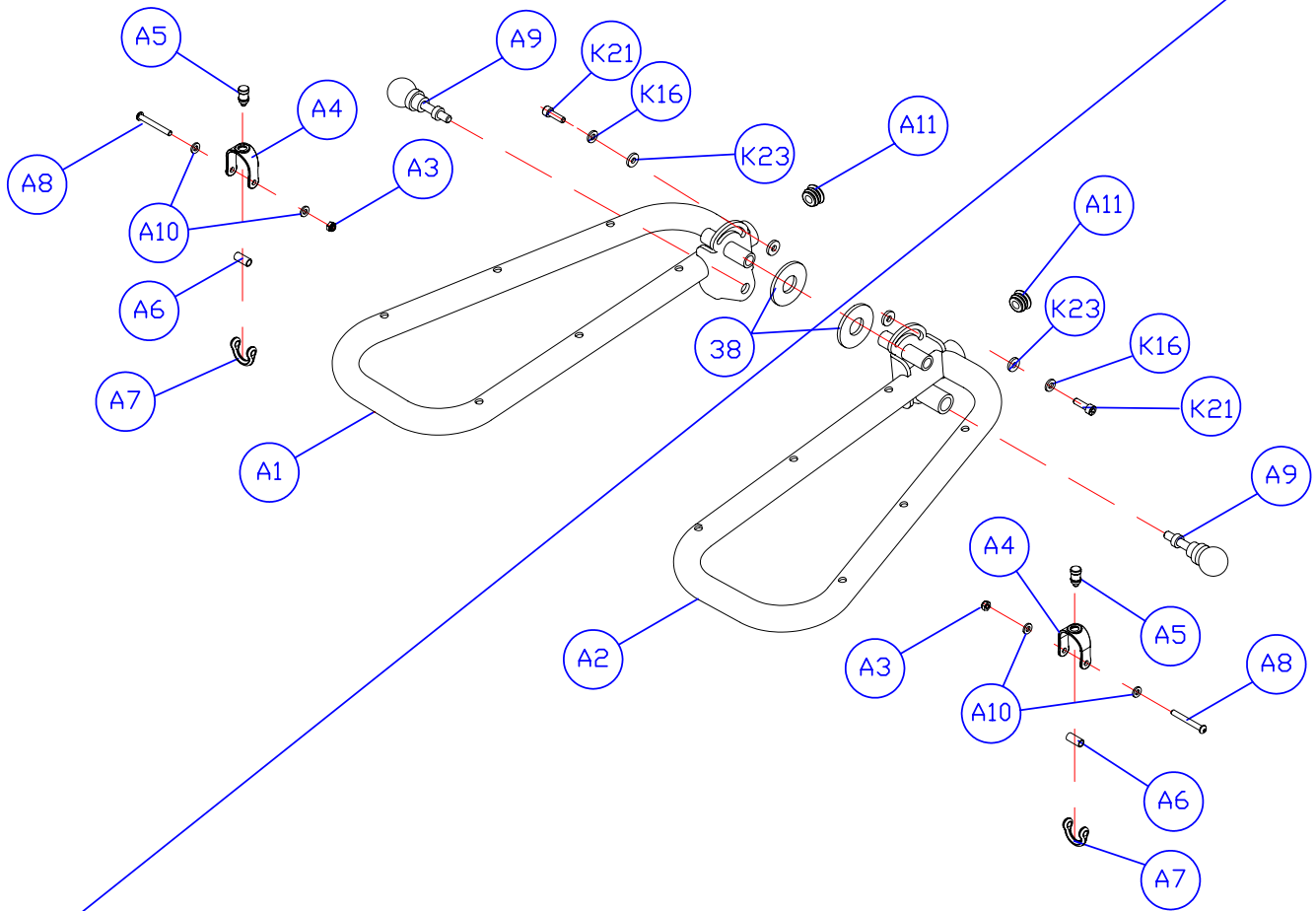
7755 Arjons Drive, San Diego, CA 92126
 800 541 4900 efisportsmedicine.com

PROPRIETARY AND CONFIDENTIAL

THE INFORMATION CONTAINED IN THIS DRAWING IS THE SOLE PROPERTY OF efi sports medicine. ANY REPRODUCTION IN PART OR AS A WHOLE WITHOUT THE WRITTEN PERMISSION IS PROHIBITED.

No.	EFI P/N	Part Name	Alt #
K1	6960-01	Tower Assembly 115 V AC	1300PT010035
K1	6961-01	Tower Assembly 230 V AC	
K2	6602-01	Top Rail Assembly	1900PT010060
K3	6603-01	Bottom Rail Assembly	1900PT010160
K4	6297-01	Upper Plyo Strut	1700PT010060
K5	6297-01	Bottom Plyo Strut	1700PT010135
K7	14073-01	1/2" Shoulder Screw 3/8-16 thread	700211003514
K9	6609-01	Glideboard Assembly	A700GTS010035
K10	6676-01	Cable Assembly	A180GTS0100
K11	14010-01	Folding Squat Platform Assembly	A130G1S140000014
K12	6016-01	Telescoping Squat Stand Assembly	A130TG140000510
K13	6678-01	Bottom Adjustable Foot Holder	A130GTS010160
K14	6121-02	Top Adjustable Foot Holder	A130TG140000260
K18	6639-01	LAT Bar-Left Assm	1700GTS010160
K19	6638-01	LAT Bar-Right Assm	1700GTS010060
K30	6647-01	Rail Shaft	452355
K31	P3364	Nylock Nut: 3/8-16 Self lock Nut	7001109511
K33	P3373	Flat Washer: 1/2" ID washer	700050921152

A



6913-01 Pulley Pos Assy Kit (No Plunger, set of 2)
 6913-02 Pulley Pos Assy Kit (with Plunger, set of 2)
 (Includes: A3,4,5,6, 8, 10 & P15)

No.	EFI P/N	Part Name	Alt #
A1	6639-01	LAT Bars-Left	1700GTS010160
A2	6638-01	LAT Bars-Right	1700GTS010060
A3	6675-01	Nylock Nut: M6x1.0	70011061
A4+A5	6680-01	LAT Pulley Loc Brkt w/ Plunger (A4+A5)	QPGTS0105
A4	6671-01	Ring	212611
A5	6077-01	Plunger	73020653
A6	6294-01	Sleeve (2t)	7030179
A7	6672-01	U Ring	212610
A8	6673-01	Socket Head Screw Modified: M6-1-20L	700210605001
A9	6070-01	Pull Pin Knob 3/8"	73020646
A10	6674-01	Flat Washer: M6	700050613202
A11	P 3119	Round Plastic Plug: 1.25 Dia	351507
K16	6664-01	Flat Washer: M6 Steel	
K23	6668-01	Bronze Washer, Small:19 OD, 6 ID, 1t	700086515250
K21	6667-01	Socket Head Screw Modified: M6-1-30L	700210602001
K38	6330-01	Bronze washer, Large: 31.8 OD, 19 ID, 1t	

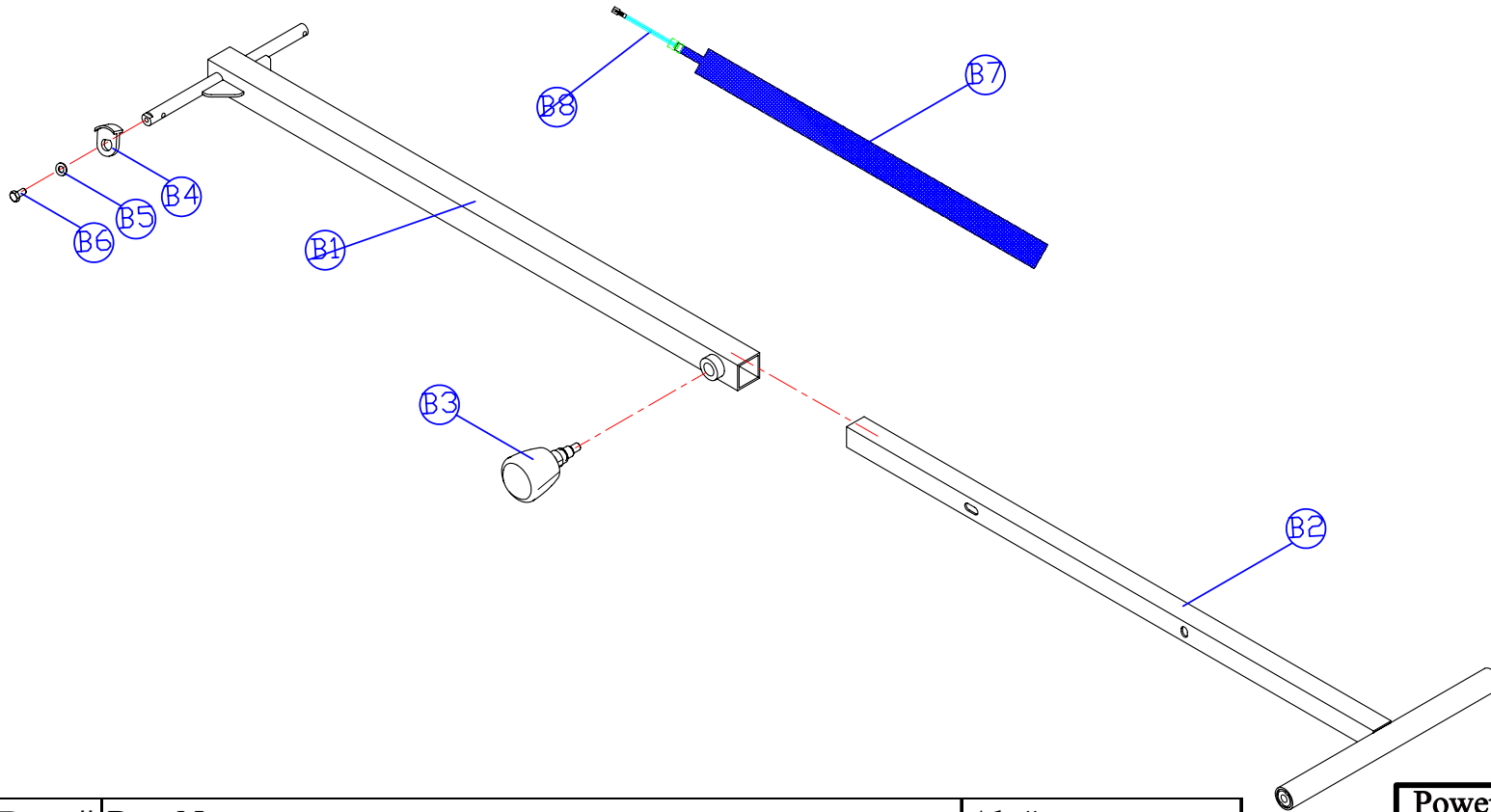
Power Tower
 Exploded Assembly Drawing
 P/N 6007-01, 6008-01
 10-10-06
 Design Patent No. D493,853

efi.
 sports medicine

7755 Arjons Drive, San Diego, CA 92126
 800 541 4900 efi.sportsmedicine.com

PROPRIETARY AND CONFIDENTIAL
 THE INFORMATION CONTAINED IN THIS
 DRAWING IS THE SOLE PROPERTY OF
 efi sports medicine. ANY REPRODUCTION
 IN PART OR AS A WHOLE WITHOUT THE
 WRITTEN PERMISSION IS PROHIBITED.

B



No.	EFI Part #	Part Name	Alt #
B1	6623-01	Top Plyo Strut	1700GTS010260
B2	6624-01	Bottom Plyo Strut	1700GTS010360
B3	6627-01	Strut Retractable Knob	73020652
B4	6628-01	Lanyard; Steel Cable Fold lock pin	21240165
B5	6650-01	Hexagon Socket Button Head Screw :M4-.7-10L	700290400602
B6	6629-01	Detent Pin with ring: 5mm Dia x 70L	7032083
B7	6651-01	Plyo Strut Lock Pad:1mm Thk Black rubber w/ adhesive	52032710
B8		Fold instruction Sticker	
B9		UN-Fold instruction Sticker	
K33	P3373	Flat Washer: 1/2"ID washer	700050921152
K35	6670-01	Cotter Pin: 4.7mm Dia 50L (3/16 x2")	7032081

Power Tower
 Exploded Assembly Drawing
 P/N 6007-01, 6008-01
 10-10-06
 Design Patent No. D493,853

efi.
 sports medicine

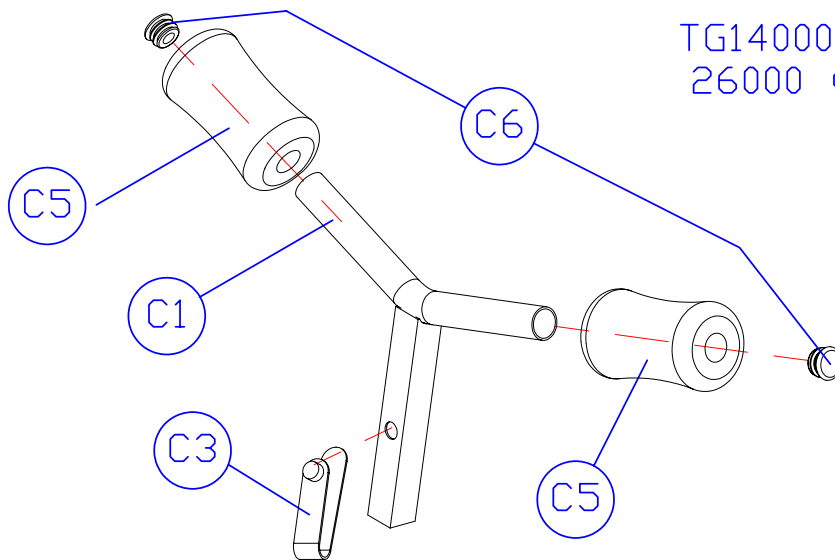
7755 Arjons Drive, San Diego, CA 92126
 800 541 4900 efisportsmedicine.com

PROPRIETARY AND CONFIDENTIAL

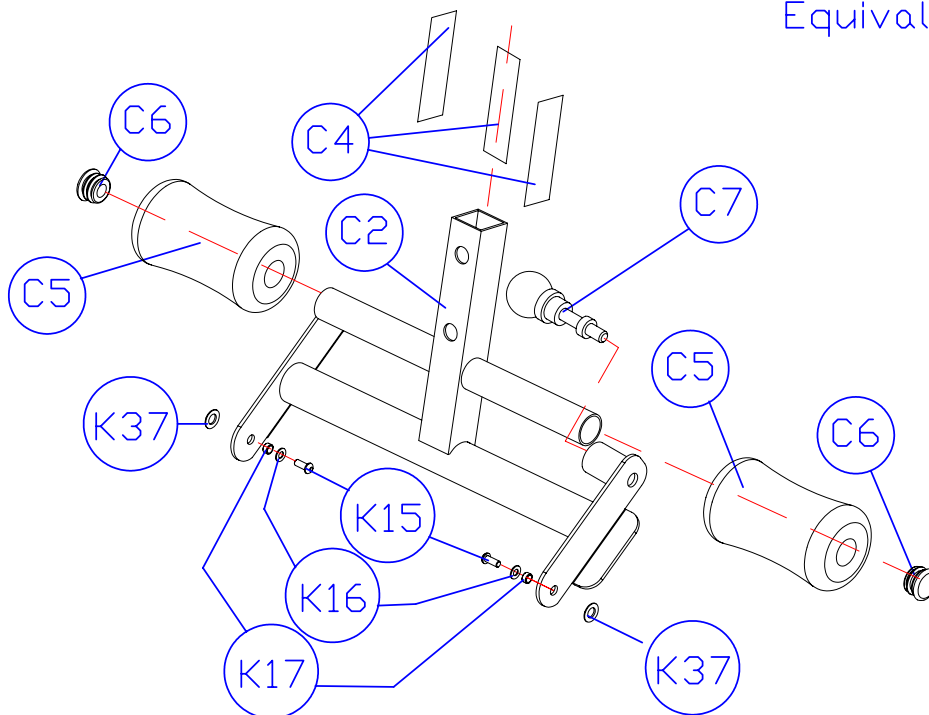
THE INFORMATION CONTAINED IN THIS
 DRAWING IS THE SOLE PROPERTY OF
 efi sports medicine. ANY REPRODUCTION
 IN PART OR AS A WHOLE WITHOUT THE
 WRITTEN PERMISSION IS PROHIBITED.

C

Similar Assemblies:
 TG14000 (Black): 26020-01
 26000 (Chrome): 26010-01



Equivalent Part Numbers:
 14107-01 = 6665-01
 14108-01 = 6664-01
 14109-01 = 6663-01



Power Tower
Exploded Assembly Drawing
 P/N 6007-01, 6008-01
 10-10-06
 Design Patent No. D493,853

efi.
sports medicine

7755 Arjons Drive, San Diego, CA 92126
 800 541 4900 efisportsmedicine.com

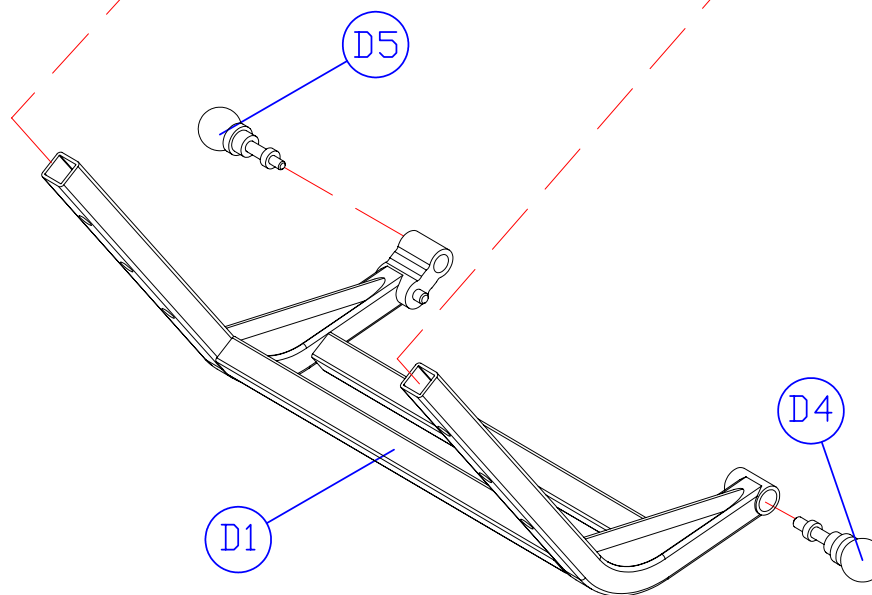
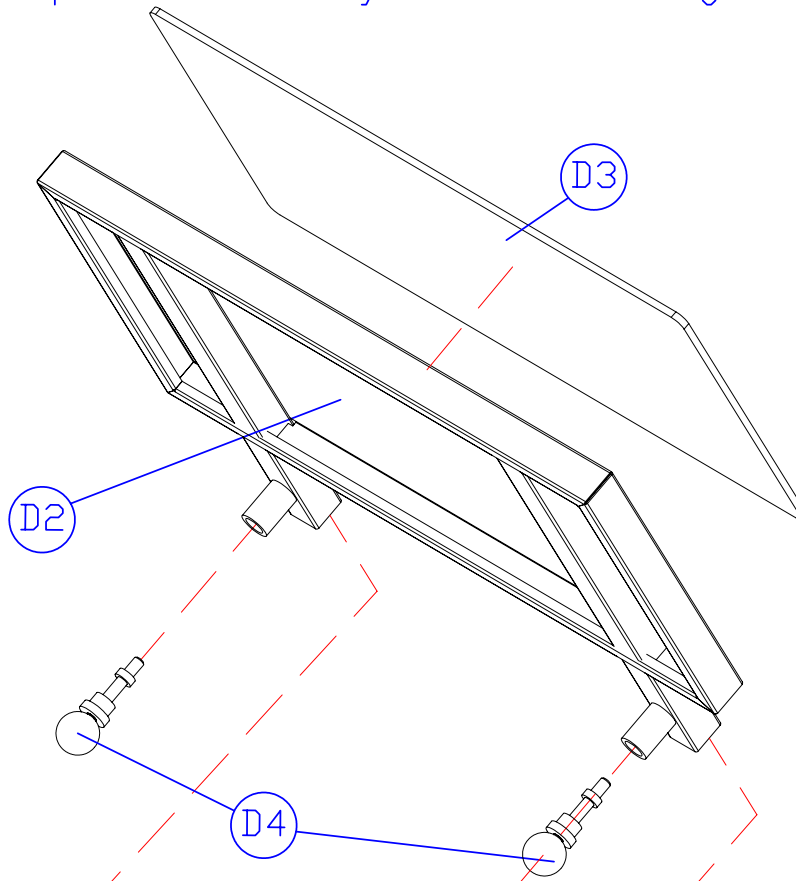
PROPRIETARY AND CONFIDENTIAL

THE INFORMATION CONTAINED IN THIS DRAWING IS THE SOLE PROPERTY OF efi sports medicine. ANY REPRODUCTION IN PART OR AS A WHOLE WITHOUT THE WRITTEN PERMISSION IS PROHIBITED.

No.	EFI P/N	Part Name	Alt #
C	6607-01	Folding Foot Holder	
C: Top	6121-02	"Y" Bar, Upper Adjustable Foot Holder(C4~C7)	1700GTS0110360
C: Bot	6678-01	Bottom Adjustable Foot Holder(C5~C6)	A130TG140000260
C1	6033-02	Upper Chrome Weldment	
C2	6677-01	Bottom Chrome Weldment	
C3	6073-01	Spring Button	7032076
C4	6649-01	PE Pad	6007034
C5	P3071	Pad, Heel	351412201201
C6	P3113	Round Plug:Pastic 1"Dia	351506
C7	6648-01	Pull Pin Knob, 3/8 Short	73020651
K15	14109-01	Hex Socket Button Head Screw: M6-1-15L	700290601512
K16	14108-01	Flat Washer: M6 Steel	700050613102
K17	14107-01	Bushing, Steel, FFH: 3/8" OD. .06 wall, .20" L	7030150
K37	6668-01	Bronze Washer, Small:19 OD, 6 ID, 1t	700086515250

D

Complete Assembly = 6506-01 Adjustable Squat stand



Power Tower
Exploded Assembly Drawing
P/N 6007-01, 6008-01
10-10-06
Design Patent No. D493,853

efi.
sports medicine

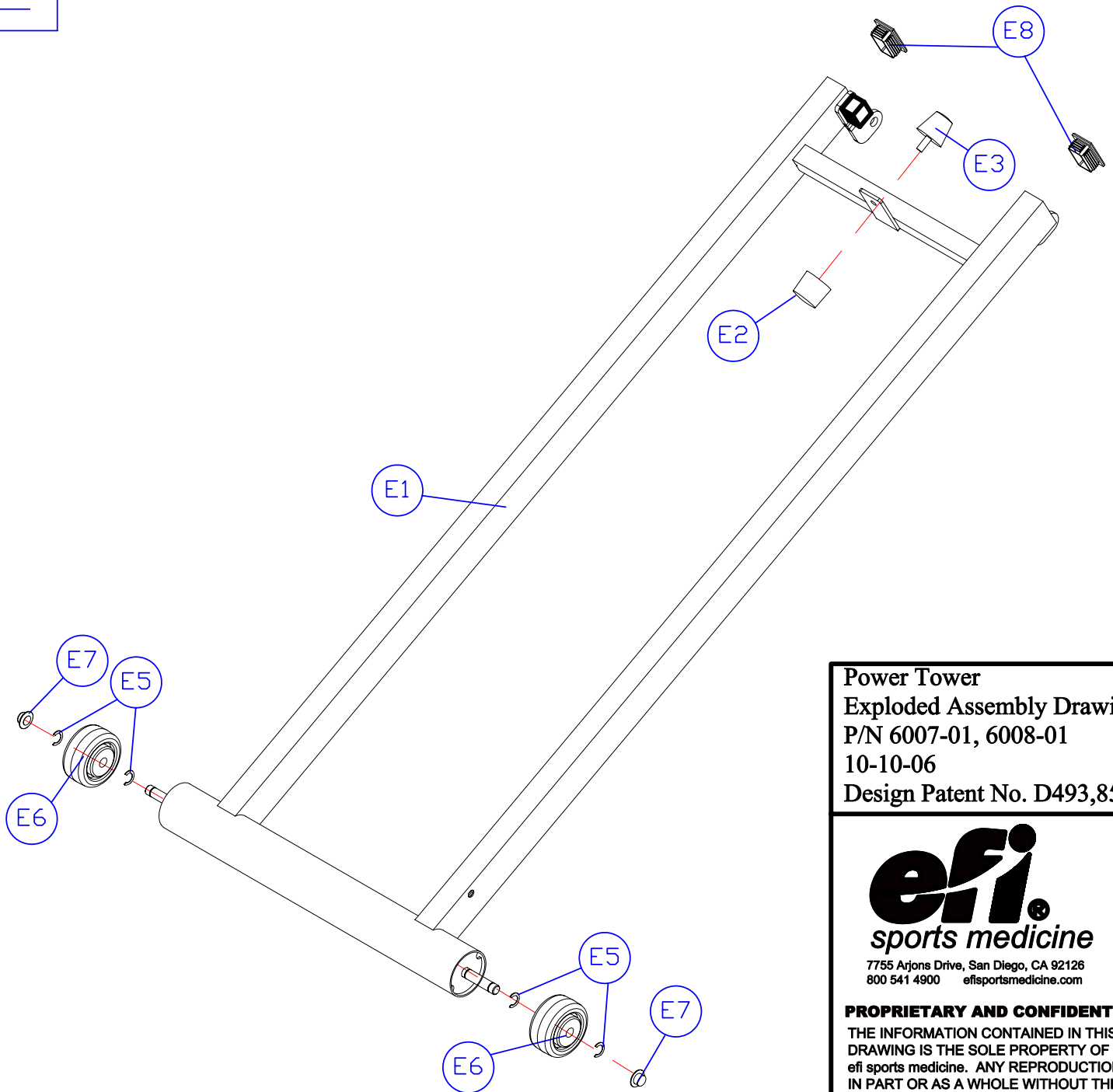
7755 Arjons Drive, San Diego, CA 92126
800 541 4900 efi@sportsmedicine.com

PROPRIETARY AND CONFIDENTIAL

THE INFORMATION CONTAINED IN THIS
DRAWING IS THE SOLE PROPERTY OF
efi sports medicine. ANY REPRODUCTION
IN PART OR AS A WHOLE WITHOUT THE
WRITTEN PERMISSION IS PROHIBITED.

No.	EFI P/N	Part Name	Alt #
D Top	6016-01	Telescoping Squat Stand Assembly(D2~D4)	A130TG140000510
D: Bot	14010-01	Folding Platform Assembly(D1, D4~D5)	A1300TG140000014
D1	6501-01	Folding Platform Weldment	1300TG140000014
D2	6045-01	Telescoping Squat Stand	1300TG140000510
D3	6042-01	Rubber Pad	520856
D4	6070-01	Pull Pin Knob 3/8"	73020646
D5	6255-01	Pull Pin Knob 5/16"	73020647

E



Power Tower
 Exploded Assembly Drawing
 P/N 6007-01, 6008-01
 10-10-06
 Design Patent No. D493,853

efi.
 sports medicine

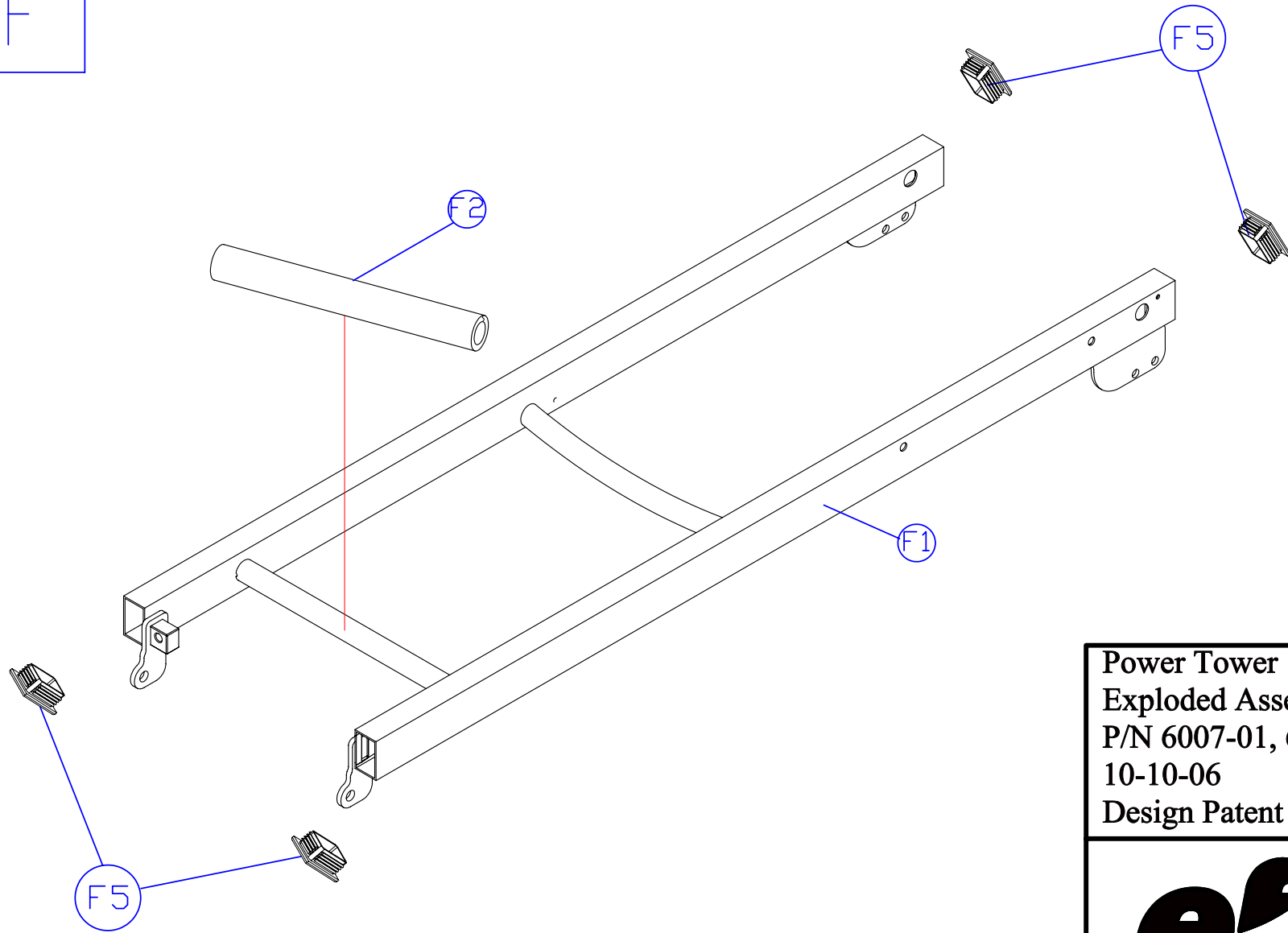
7755 Arjons Drive, San Diego, CA 92126
 800 541 4900 efisportsmedicine.com

PROPRIETARY AND CONFIDENTIAL

THE INFORMATION CONTAINED IN THIS
 DRAWING IS THE SOLE PROPERTY OF
 efi sports medicine. ANY REPRODUCTION
 IN PART OR AS A WHOLE WITHOUT THE
 WRITTEN PERMISSION IS PROHIBITED.

No.	EFI P/N	Part Name	Alt #
E1	6603-01	Lower Rail Assembly	1900PT010160 1900GTS010160
E2	6085-01	Stop Rubber -A, Female thread	521211
E3	6084-01	Stop Rubber -B Cone Shape, Male thread	521212
E5	6641-01	E-Clip Ring	7036035
E6	6081-01	Non-Marking Hard Plastic Wheel	3530075
E7	6642-01	Fixed Cap Nut: 1/2" External	70012122
E8	6088-01	Plastic Plug 30x 50 mm Rect	520451

F



Power Tower
 Exploded Assembly Drawing
 P/N 6007-01, 6008-01
 10-10-06
 Design Patent No. D493,853

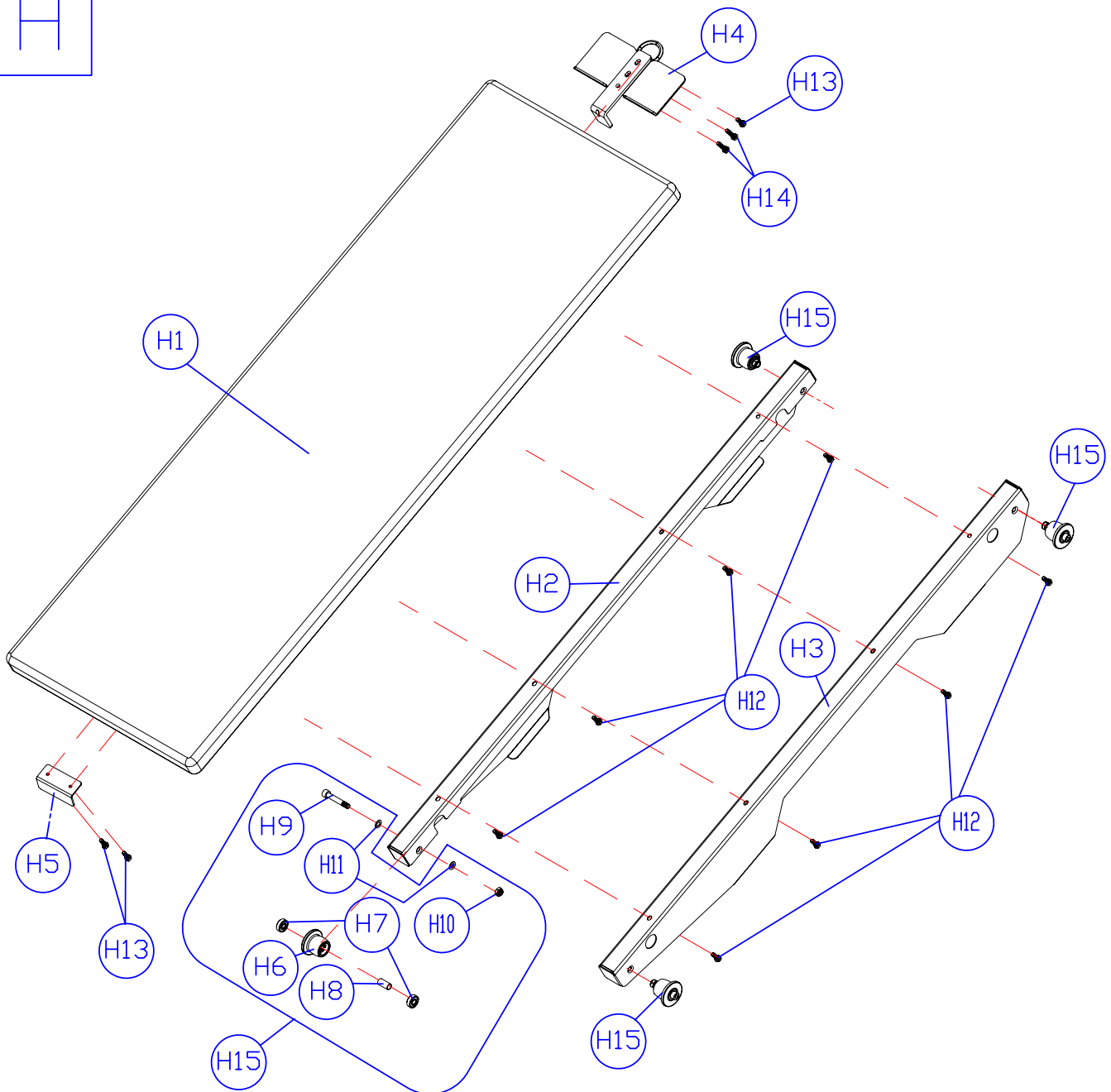
efi[®]
 sports medicine

7755 Arjons Drive, San Diego, CA 92126
 800 541 4900 efisportsmedicine.com

PROPRIETARY AND CONFIDENTIAL
 THE INFORMATION CONTAINED IN THIS
 DRAWING IS THE SOLE PROPERTY OF
 efi sports medicine. ANY REPRODUCTION
 IN PART OR AS A WHOLE WITHOUT THE
 WRITTEN PERMISSION IS PROHIBITED.

No.	EFI P/N	Part Name	Alt #
			1900PT010060
F1	6602-01	Top Rail Assembly	1900GTS010060
F2	6126-01	Pad of cross bar	311303
F5	6088-01	Plastic Plug 30x 50 mm Rect	520451

H



No.	EFI Part #	Part Name	Alt #
H	6609-01	Glideboard Assembly(H1~H12)	A700GTS010060
H1	6022-01	GTS Glideboard Pad	3524GTS0100
H2	6626-01	Glideborad Housing -Left	7905GTS010135
H3	6625-01	Glideborad Housing -Right	7905GTS010235
H4	14054-01	Pull/Stop, Gildeborad Bracket	7905TG140000014
H5	14069-01	Lower Stop Bracket	790206714
H12	6690-01	Hex Screw: M6-16L	700240601604
H13	6652-01	Hex Screw: M6-20L	700240602004
H14	6653-01	Hex Screw: M6-25L	700240602504
H15	6080-02	GB Roller Assembly (H6~H11)	22232301
H6	-	GB Roller Aceytal	222310
H7	-	Bearing	452707
H8	-	Sleeve	7030120
H9	-	Special Screw	700210805034
H10	-	Nylock Nut	70011084
H11	-	Flat Washer	700050819104

Power Tower
 Exploded Assembly Drawing
 P/N 6007-01, 6008-01
 10-10-06
 Design Patent No. D493,853



7755 Arjona Drive, San Diego, CA 92128
 800 541 4900 efi sports medicine.com

PROPRIETARY AND CONFIDENTIAL
 THE INFORMATION CONTAINED IN THIS
 DRAWING IS THE SOLE PROPERTY OF
 efi sports medicine. ANY REPRODUCTION
 IN PART OR AS A WHOLE WITHOUT THE
 WRITTEN PERMISSION IS PROHIBITED.

